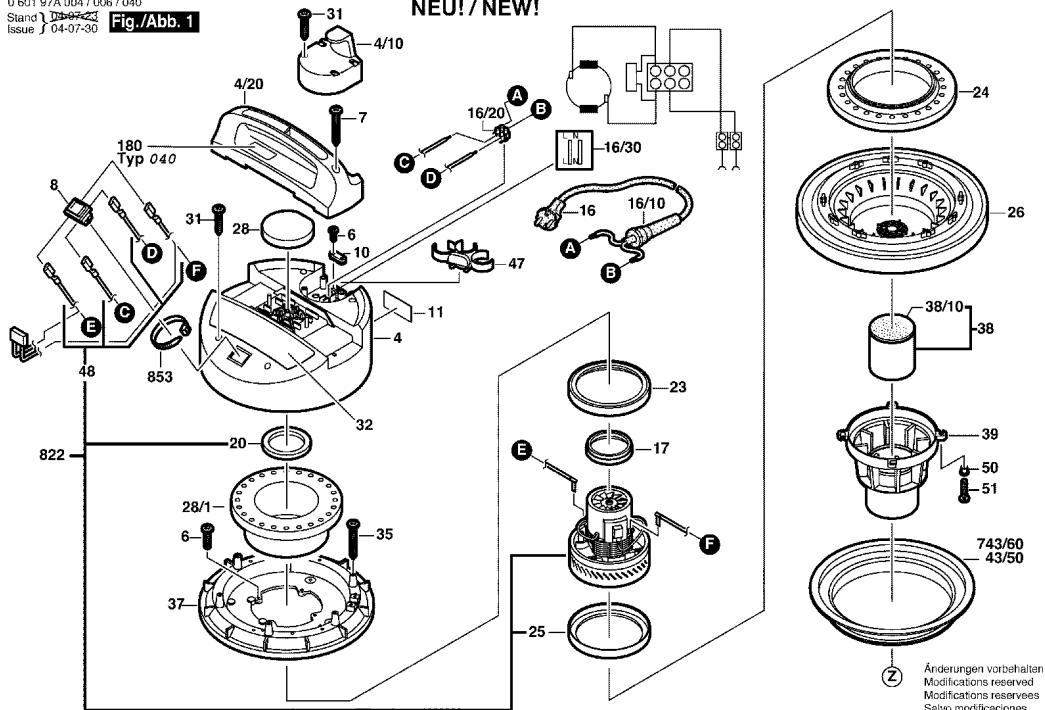




0 601 97A 004 / 006 / 040  
Stand } 04-07-30  
Issue } 04-07-30

**Fig./Abb. 1**

**NEU! / NEW!**



Änderungen vorbehalten  
Modifications reserved  
Modificacions reserves  
Salvo modificaciones

POS No.	Qty	Part No.	Description	List Price (Rs.)
4	1	1609203A34	Covering hood .	312
4/10	1	1609203A29	Cover .	85
4/20	1	1609203A31	Handle .	196
6	6	1609203A27	Tapping Screw 5x20	44
7	2	1609203A74	Tapping Screw 5x55	44
8	1	1609203A33	On-Off Switch .	228
10	1	1609203A26	Cable Clip .	35
11	1	1601118E04	Nameplate .	
16	1	1609203A24	Power supply cord .	368
16/10	1	1609203A25	Grommet .	48
16/20	1	1609203A28	Socket-Terminal Strip	58
16/30	1	1609203B34	Reference Plate .	
17	1	1609203A36	Air-Deflector Ring .	50
20	1	1609203A35	Seal ring .	87
23	1	1609203A41	Seal ring .	87
24	1	1609203A42	Air-Deflector Ring .	124
25	1	1609203N44	Seal ring .	170
26	1	1609203A43	Intermediate Flange	421
28	1	1609203A32	Filter Disc .	58
28/1	1	1609203A37	Air Filter .	179
31	8	1609203A30	Tapping Screw 5x30	44
32	1	1601118E06	Manufacturer's namep	
35	6	1609203A38	Tapping Screw 5x40	44
37	1	1609203A39	Intermediate housing	257
38	1	1609203A52	Float .	58
38/10	1	1609203B33	Seal .	44
39	1	1609203A51	Suction Basket .	196
43/50	1	1609203A53	Retaining snap ring .	114
43/60	1	1609203A54	Filter .	257
43/70	1	1609203A55	Support Frame .	114

POS No.	Qty	Part No.	Description	List Price (Rs.)
47	1	1609203A44	index turning toolhold	72
48	1	1609203N57	Cable Set .	545
50	4	1609203A49	Sleeve .	35
51	4	1609203A50	Tapping Screw 5x20	44
650/20	1	1609203A77	Fitting Ø 35 MM .	114
650/30	1	1609203A78	Fitting Ø 45 MM .	114
652	2	1609203B92	Suction Pipe .	312
690	1	1609203D29	Dust container .	1993
690/10	1	1609203D28	Container .	1261
690/40	4	1609203A30	Tapping Screw 5x30	44
690/50	1	1609203A59	Deflector .	109
690/60	1	1609203A60	Plate .	58
690/70	1	1609203A61	Spring .	35
690/80	1	1609203A62	Sealing Plate .	72
690/90	1	1609203A63	Push-Button .	35
690/100	1	1609203A64	Cover Plate .	109
690/110	1	1609203A65	Corner Protection .	196
690/120	4	1609203A66	Impeller .	221
743/60	1	2607432013	Dust Bag .	
750	1	2607002149	Air Hose Ø35 MM L=	
750/1	1	2607002150	Air Hose Ø35 MM L=	
750	1	2600793009	Air Hose Ø 19 MM, 3	
750/1	1	1610793002	Air Hose Ø19 MM, L=	
751	1	1609390479	Setting Tube Ø 35 M	
752	1	2607000162	Suction Pipe Ø 35 MI	
753	1	2607000170	Suction Nozzle Ø 35	
754	1	1609390478	Suction Nozzle Ø 35	
754/10	1	1609390493	Flat Brush .	593
754/20	1	1609390494	Flat Brush .	289
754/30	1	1609390495	Strip brush .	366